

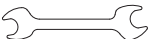




Strong. Smart. Beautiful.

**G2FW96B Barbell Rack  
Required Tools.**

QTY	PART #	SKETCH	DESCRIPTION	NOTES
01			5mm ALLEN WRENCH	
01			8mm ALLEN WRENCH	
01			OPEN-END WRENCH [ 17mm ]	

**Contact the Matrix Fitness Customer Service Department if you encounter any  
troubleshooting issues or missing hardware:**

**TOLL FREE 866.693.4863**

Matrix Fitness Systems Corp. 430 South CP Avenue P.O. Box 740 Lake Mills WI 53551

Phone 920.648.6100

[www.matrixfitness.com](http://www.matrixfitness.com)

Fax 920.648.6101


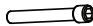



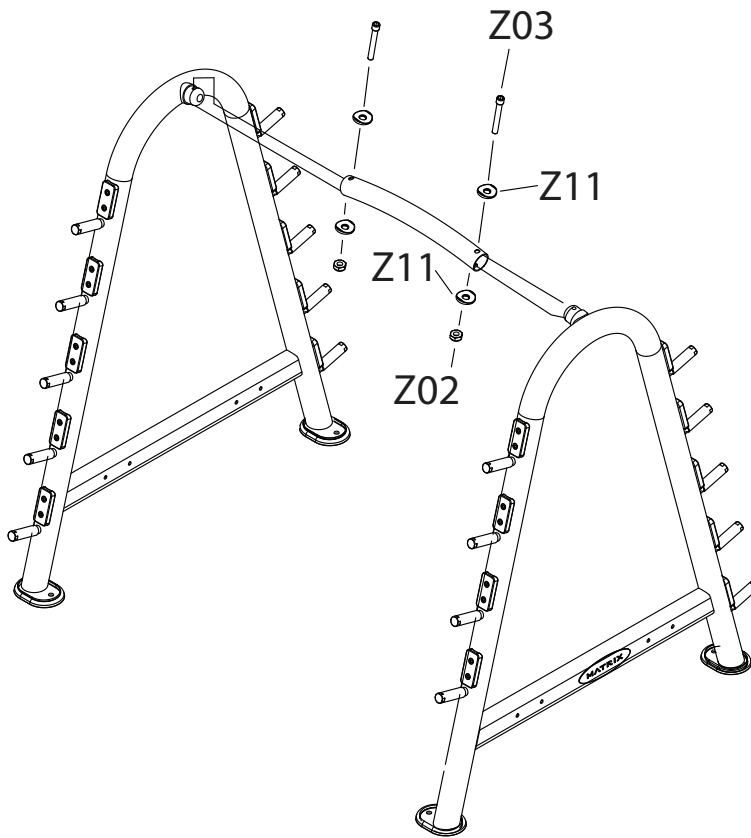
Strong. Smart. Beautiful.

### G2FW96B Olympic Weight Tree Step 1

## STEP 1

Frame Detail

Item	Description	Sketch	Qty
Z02	Nylon Nut		2
Z03	Screw(M10)		2
Z11	Arc-flat Washer		4



Matrix Fitness Systems Corp. 430 South CP Avenue P.O. Box 740 Lake Mills WI 53551

Phone 920.648.6100

www.matrixfitness.com

Fax 920.648.6101






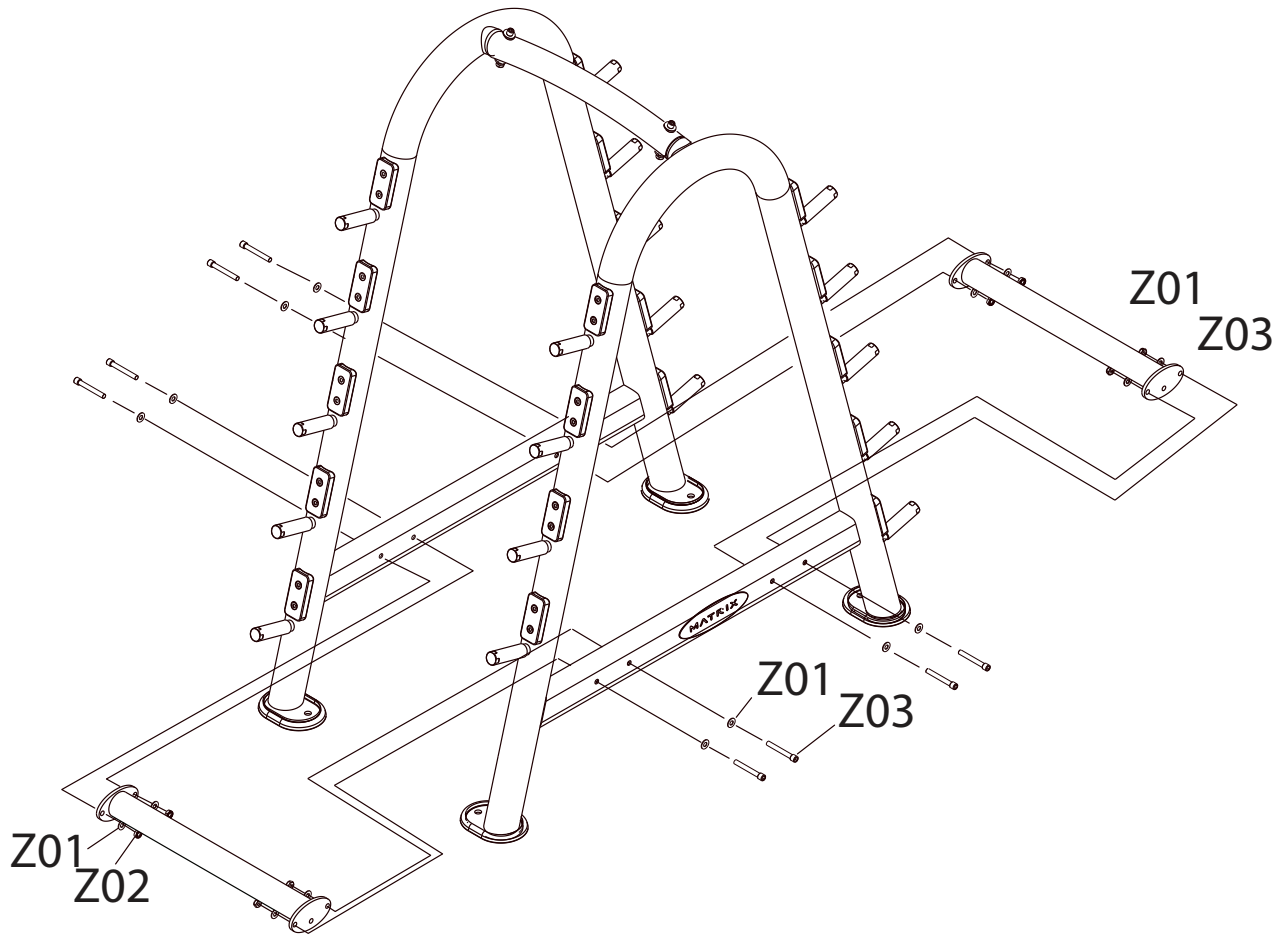
Strong. Smart. Beautiful.

### G2FW96B Barbell Rack Step 2

## STEP 2

Input Detail

Item	Description	Sketch	Qty
Z02	Nylon Nut		08
Z03	Screw(M10)		08
Z01	Flat Washer		16



Matrix Fitness Systems Corp. 430 South CP Avenue P.O. Box 740 Lake Mills WI 53551

Phone 920.648.6100

www.matrixfitness.com

Fax 920.648.6101