






Strong. Smart. Beautiful.

**G2FW84B Utility Bench  
Required Tools.**

QTY	PART #	SKETCH	DESCRIPTION	NOTES
01			5mm ALLEN WRENCH	
01			6mm ALLEN WRENCH	
01			OPEN-END WRENCH [ 13mm ]	

**Contact the Matrix Fitness Customer Service Department if you encounter any  
troubleshooting issues or missing hardware:**

**TOLL FREE 866.693.4863**

Matrix Fitness Systems Corp. 430 South CP Avenue P.O. Box 740 Lake Mills WI 53551

Phone 920.648.6100

[www.matrixfitness.com](http://www.matrixfitness.com)

Fax 920.648.6101







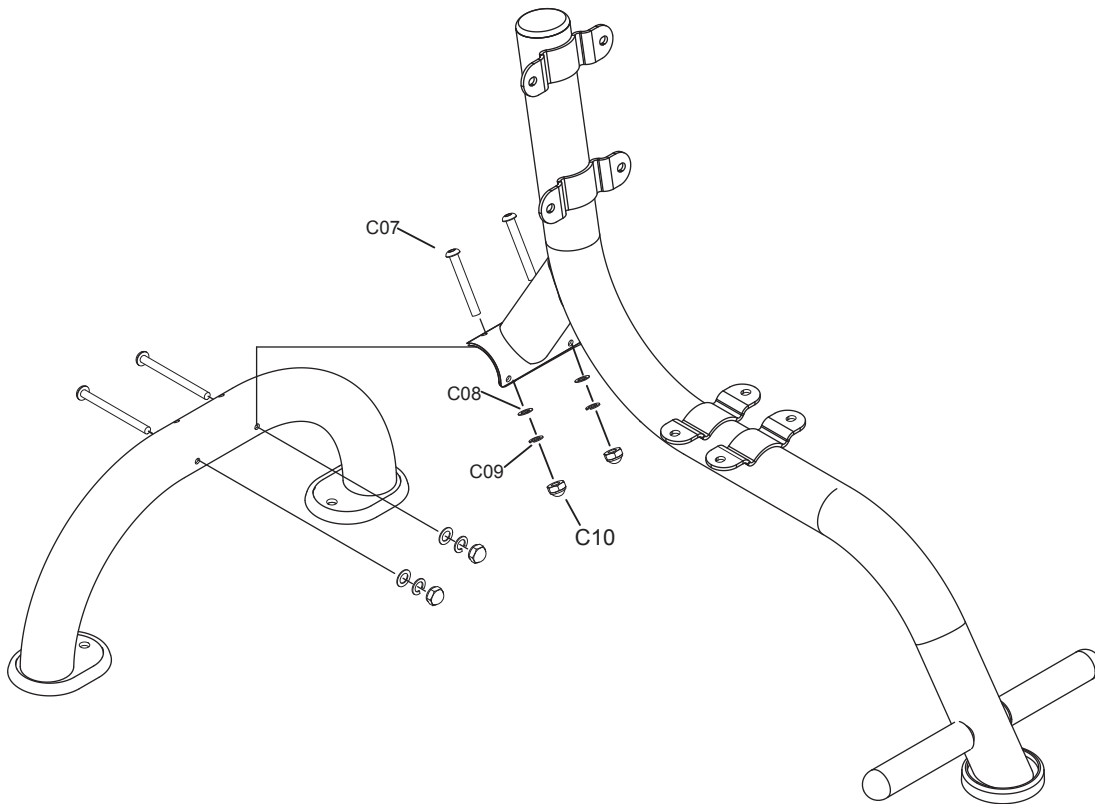
Strong. Smart. Beautiful.

### G2FW84B Utility Bench Step 1

## STEP 1

Frame Detail

Item	Description	Sketch	Qty
C07	Screw (M8 X 90L)		4
C08	Flat Washer (M8)		4
C09	Lock Washer (M8)		4
C10	Cap Nut (M8)		4






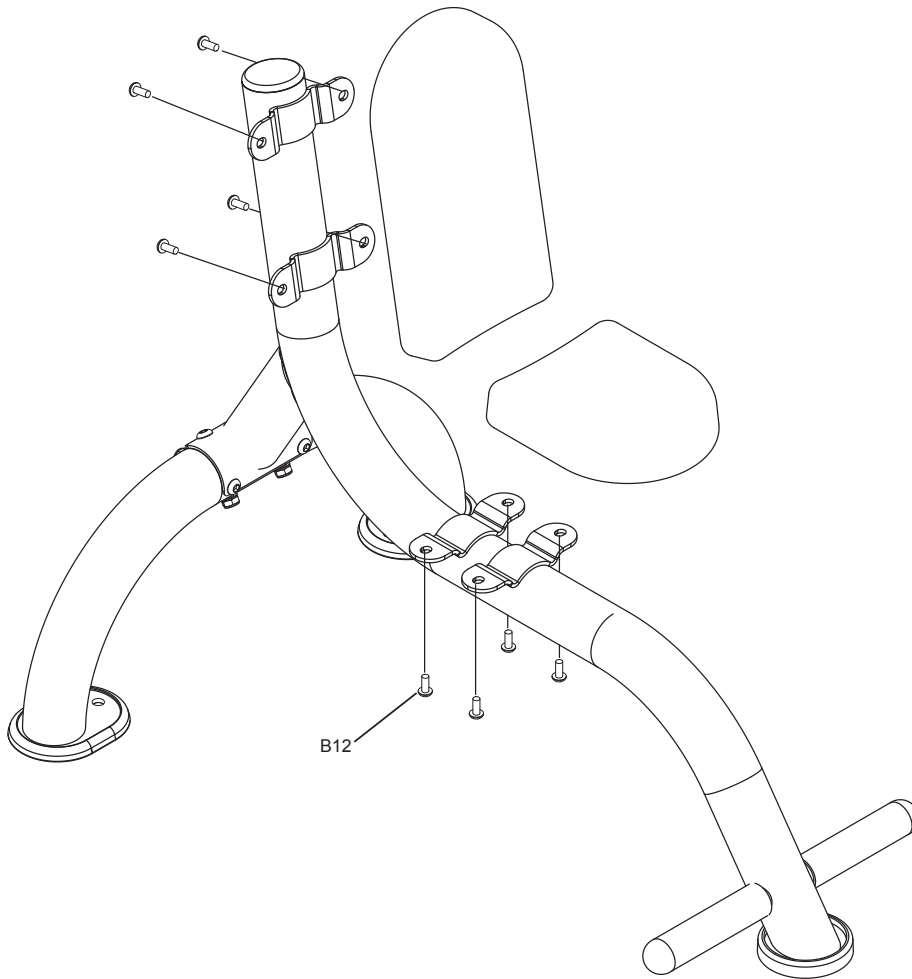
Strong. Smart. Beautiful.

### G2FW84B Utility Bench Step 2

## STEP 2

Item	Description	Sketch	Qty
B12	Screw (M10 X 25L)		8

Upholstry Detail



Matrix Fitness Systems Corp. 430 South CP Avenue P.O. Box 740 Lake Mills WI 53551

Phone 920.648.6100

www.matrixfitness.com

Fax 920.648.6101